

MULTILAYER FERRITE BEAD ARRAY

片式铁氧体磁珠排



PFBA SERIES



深圳嘉嵘伟业电子有限公司

SHENZHEN JIARONG WEIYE ELECTRONICS CO., LTD.

Tel: 0755-2917 5978

FAX: 133 7842 9168

Website: www.ransioning.com

E-mail: admin@ransioning.com

Multilayer Ferrite Bead Array-PFBA Series

片式铁氧体磁珠排-PFBA 系列



INTRODUCTION AND CHARACTERISTICS 产品介绍及特性

INTRODUCTION	产品介绍
--------------	------

◆ PFBA series consists of 4 circuits of ferrite beads and suitable for EMI suppression in smaller digital equipment.

◆ PFBA 系列由 4 组磁珠组成，适合较小数字设备的抗电磁波干扰。

CHARACTERISTICS	特性
-----------------	----

◆ Monolith structure for high reliability.
 ◆ Available in a wide range of impedance values providing excellent EMI suppression characteristics for various types of noise
 ◆ No cross coupling due to magnetic shield.
 ◆ Internal electrodes feature low DC resistance, minimizing wasteful power consumption
 ◆ Perfect shape for mounting with no directionality
 ◆ Excellent solderability and high heat resistance for reflow soldering or wave soldering

◆ 积层独石结构、高可靠性
 ◆ 阻值范围宽，提供优越的 EMI 抑制特性，适用于各种杂讯。
 ◆ 良好的磁屏蔽，无交叉耦合
 ◆ 直流电阻低，降低电流损耗
 ◆ 无引线结构，适合表面安装
 ◆ 良好的焊接性，适合于回流焊或波峰焊

APPLICATIONS	应用产品
--------------	------

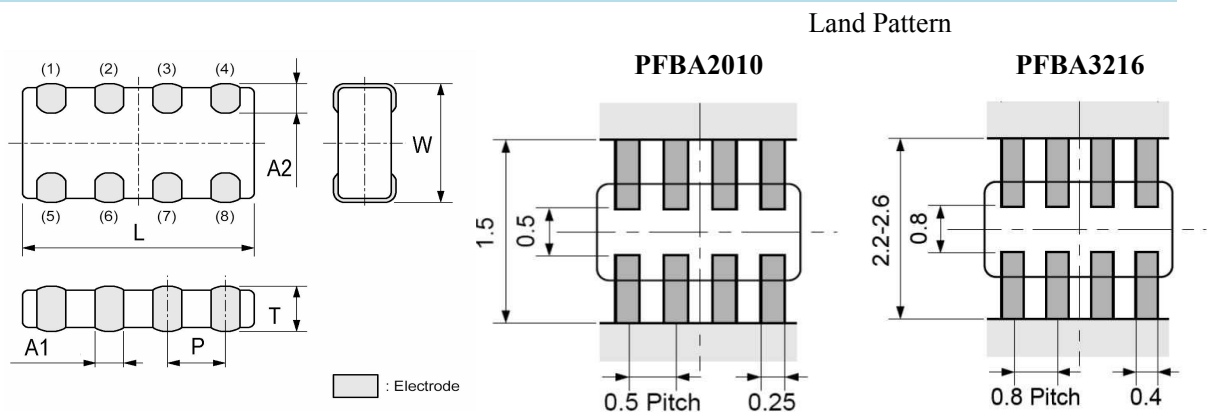
◆ Mother board, tablet PC, notebook, desktop computers and peripheral equipment
 ◆ DSC, DVC, LCD Television, Set Top Box
 ◆ Mobile phone, smart phone, PHD

◆ 主机板，平板电脑，笔记型，桌上型电脑及其周边设备
 ◆ 数位相机，数位摄影机，液晶电视机，数位机上盒
 ◆ 行动电话，智能手机，个人导航设备

PRODUCT IDENTIFICATION 产品型号

PFBA 2010 M 221 T 4B
 ① ② ③ ④ ⑤ ⑥

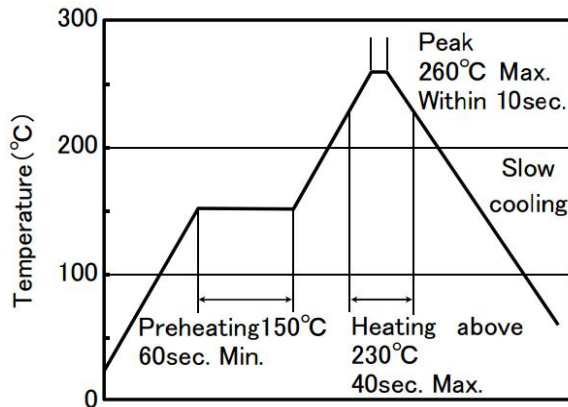
①Product Series Code 产品系列码	PFBA	Multilayer Ferrite Bead Array 片式铁氧体磁珠排
②Size Code 尺寸码	2010	长×宽 (L×W) (mm) 2.0×1.0
③Material Code 材质代号	--	P M S
④Nominal Impedance 阻抗	900	90 Ω
	121	120 Ω
⑤Packing 包装形式	T	Tape and Reel 编带
⑥Number of Beads 每颗内含磁珠数目	4B	4 颗磁珠

SHAPE AND DIMENSIONS 外观尺寸
RECOMMENDED LAND PATTERN 推荐的焊盘尺寸


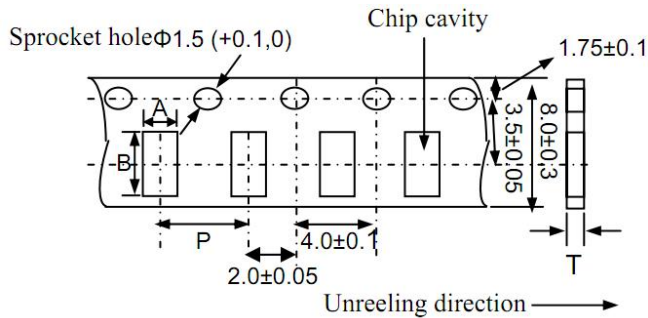
SIZE 尺寸	L 长 mm	W 宽 mm	T 厚 mm	A1 银宽 mm	A2 银宽 mm	P 电极间距 mm
2010(0804)	2.0±0.15	1.0±0.15	0.45±0.05	0.25±0.15	0.25±0.15	0.5±0.1
3216(1206)	3.2±0.2	1.6±0.2	0.8±0.2	0.4±0.15	0.3±0.2	0.8±0.1

STORAGE AND OPERATING CONDITIONS 储存及操作条件

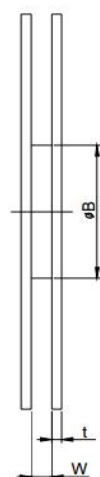
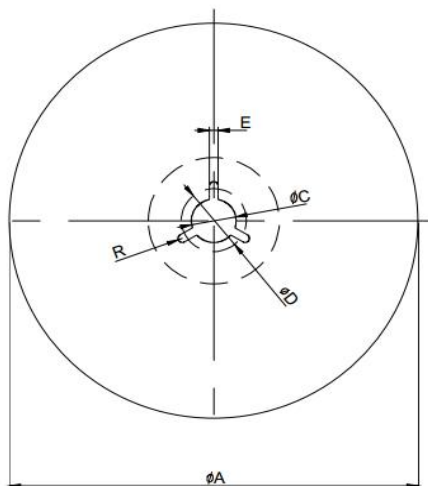
Operating Temperature Range	-55℃~+125℃
Storage Temperature and Humidity Range	-10℃~+40℃, 70%RH max.

RECOMMENDED SOLDERING CONDITION 建议焊锡方式
REFLOW SOLDERING 回流焊


- ① Ceramic chip components should be preheated to within 100 to 130°C of the soldering.
- ② Assured to be reflow soldering for 2 times.

PACKING STANDARD 包装标准
◆Taping Dimensions
Paper tape (8mm wide)


Type	Chip Thickness	A	B	P	T max.	Quantity (pcs/reel)	
						(mm)	
PFBA2010	0.45	1.20	2.20	4.0	0.80	10000	50000
PFBA3216	0.80	1.80	3.40	4.0	1.10	4000	10000

◆Reel Dimensions


Symbol	$\phi 178\text{mm}$ Reel	$\phi 330\text{mm}$ Reel
A	$\phi 178 \pm 2$	$\phi 330 \pm 2$
B	$\phi 60 \pm 2$	$\phi 100 \pm 2$
C	$\phi 13 \pm 0.8$	$\phi 13 \pm 0.8$
D	$\phi 21 \pm 0.8$	$\phi 21 \pm 0.8$
E	2	2
W8	10 ± 1.5	10 ± 1.5
W12	14.5 ± 1.5	14.5 ± 1.5
W16	--	17.4(Typ.)
W24	--	24.4(Typ.)
T	2 ± 0.5	2 ± 0.5
R	1	1

SPECIFICATIONS 规格特性
PFBA 2010(0804) TYPE

Part Number 型号	Impedance At 100MHz 阻抗 Z	DC Resistance 直流电阻 RDC	Rated Current 额定电流 Ir	Thickness 厚度
Units 单位	$\Omega \pm 25\%$	Ω (Max.)	mA (Max.)	mm
PFBA2010P600T4B	60	0.25	100	0.45±0.05
PFBA2010P121T4B	120	0.50	50	0.45±0.05
PFBA2010P221T4B	220	0.70	50	0.45±0.05
PFBA2010P601T4B	600	1.10	50	0.45±0.05
PFBA2010P102T4B	1000	1.30	50	0.45±0.05
PFBA2010M121T4B	120	0.60	50	0.45±0.05
PFBA2010M221T4B	220	0.90	50	0.45±0.05

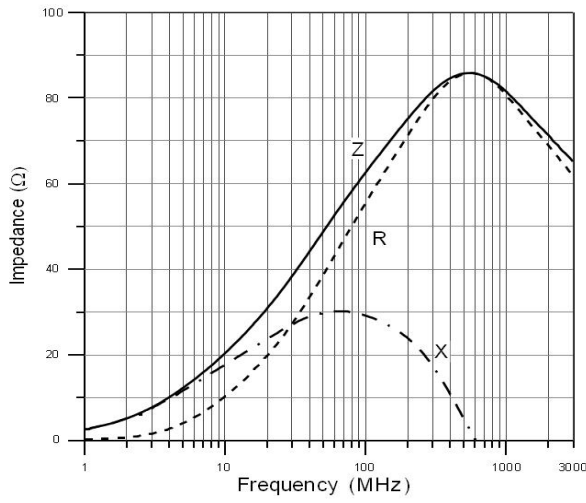
PFBA 3216(1206) TYPE

Part Number 型号	Impedance At 100MHz 阻抗 Z	DC Resistance 直流电阻 RDC	Rated Current 额定电流 Ir	Thickness 厚度
Units 单位	$\Omega \pm 25\%$	Ω (Max.)	mA (Max.)	mm
PFBA3216P600T4B	60	0.25	200	0.8±0.2
PFBA3216P121T4B	120	0.30	150	0.8±0.2
PFBA3216P301T4B	300	0.30	150	0.8±0.2
PFBA3216P601T4B	600	0.50	100	0.8±0.2
PFBA3216P102T4B	1000	0.70	50	0.8±0.2
PFBA3216M121T4B	120	0.40	150	0.8±0.2
PFBA3216M221T4B	220	0.45	150	0.8±0.2
PFBA3216M471T4B	470	0.55	100	0.8±0.2
PFBA3216M601T4B	600	0.65	100	0.8±0.2
PFBA3216M102T4B	1000	0.80	50	0.8±0.2
PFBA3216S121T4B	120	0.60	50	0.8±0.2
PFBA3216S301T4B	300	1.00	50	0.8±0.2
PFBA3216S601T4B	600	1.70	35	0.8±0.2
PFBA3216S102T4B	1000	2.10	35	0.8±0.2

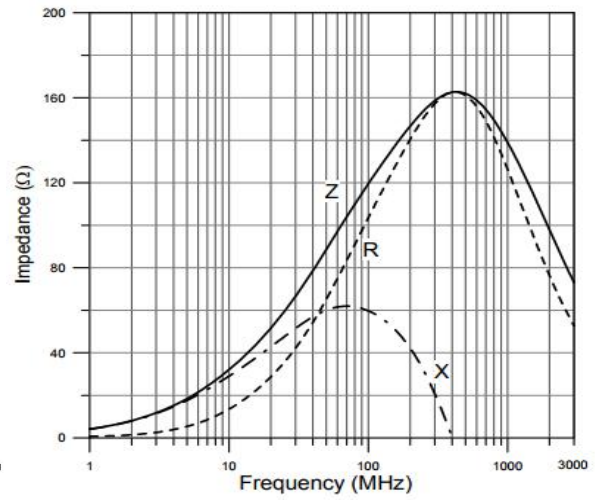
TYPICAL ELECTRICAL CHARACTERISTICS 典型电气特性

Z, R, X vs. FREQUENCY CHARACTERISTICS

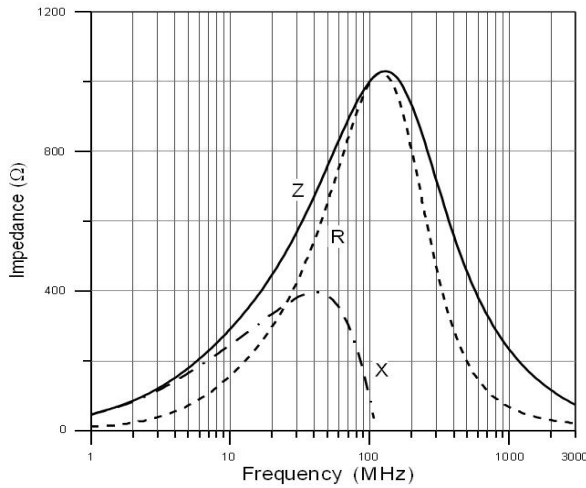
PFBA3216P600T4B



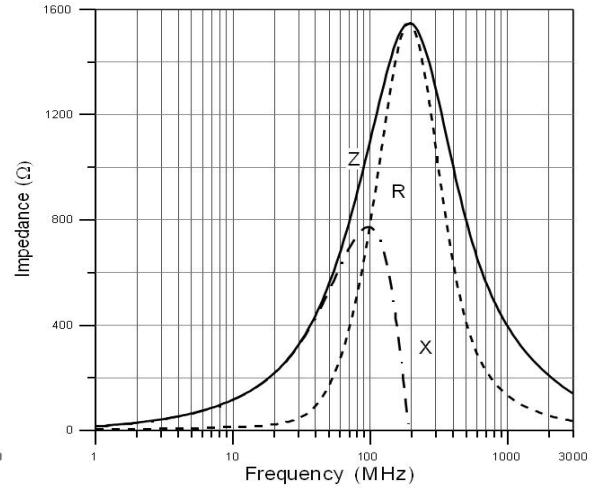
PFBA3216P121T4B



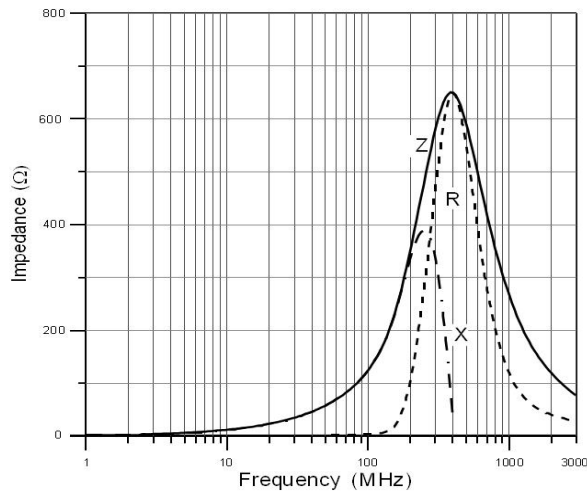
PFBA3216P102T4B



PFBA3216M102T4B



PFBA3216S121T4B



PFBA3216S601T4B

